

Joint ICTP-IAEA School on FPGA-based SoC and its Applications for Nuclear and Related Instrumentation

FINAL PRESENTATION

Lopez Cristian



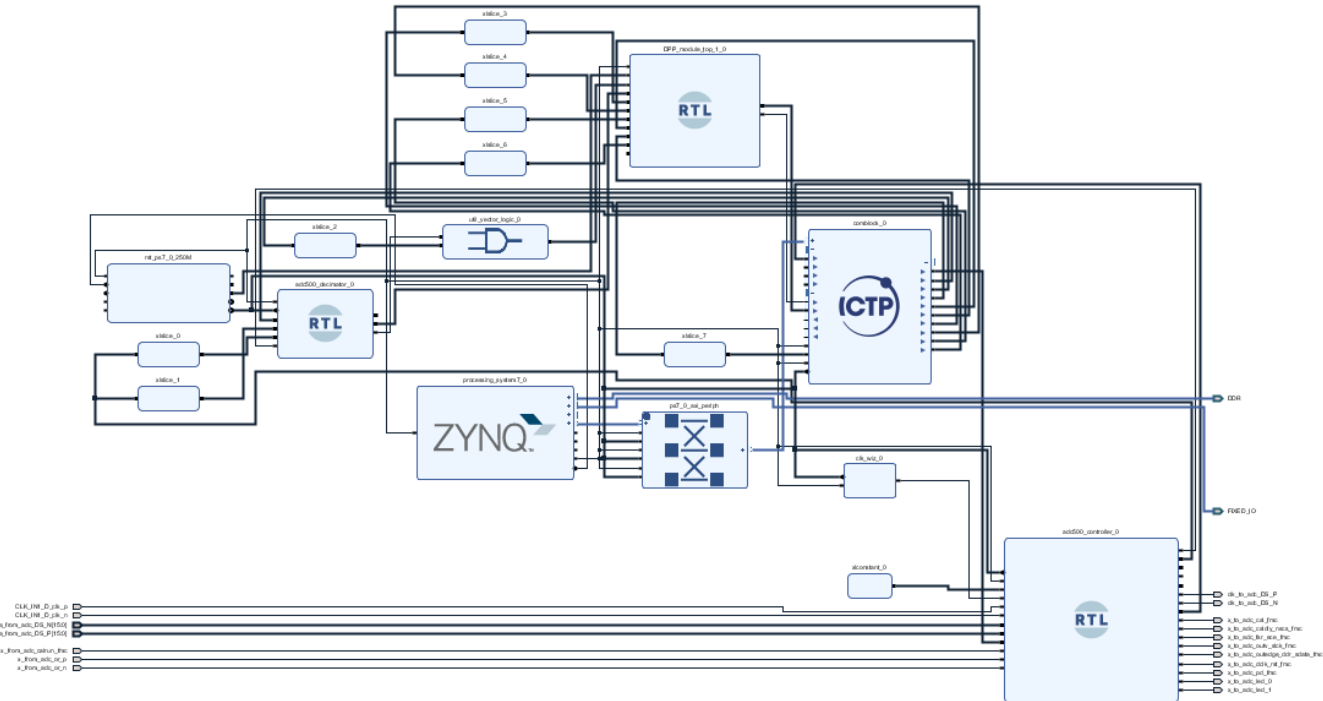
Facultad de
Ingeniería
.....
Universidad Nacional de Mar del Plata



UNIVERSIDAD NACIONAL
de MAR DEL PLATA
.....

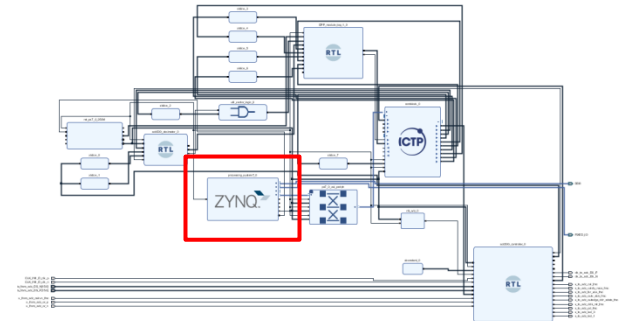
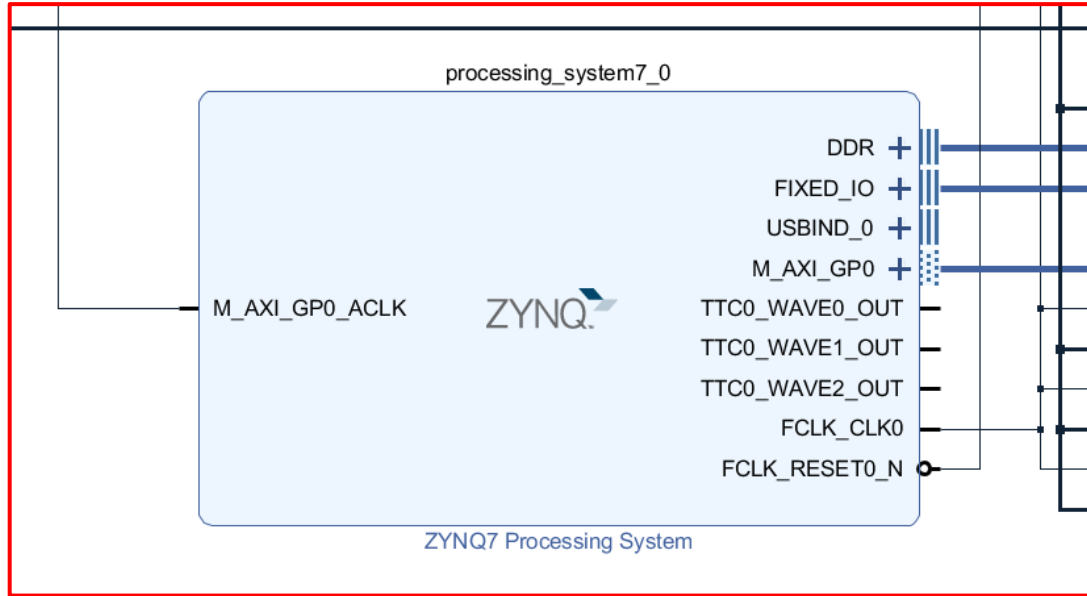
ICTP Project

Digital Pulse Processor based on SoC-FPGA for Particle Detectors



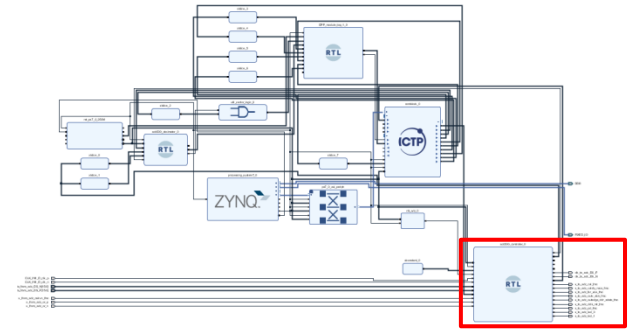
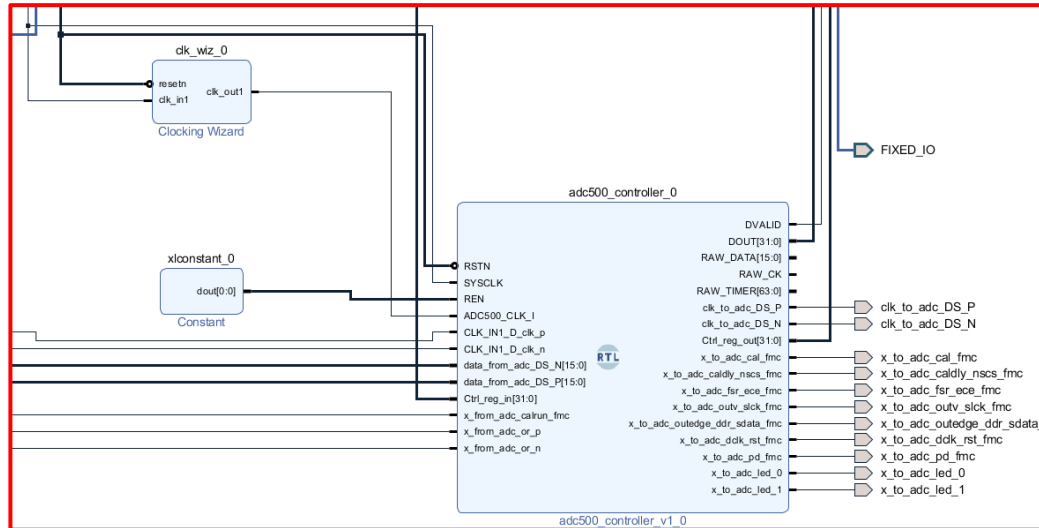
ICTP Project

Digital Pulse Processor based on SoC-FPGA for Particle Detectors



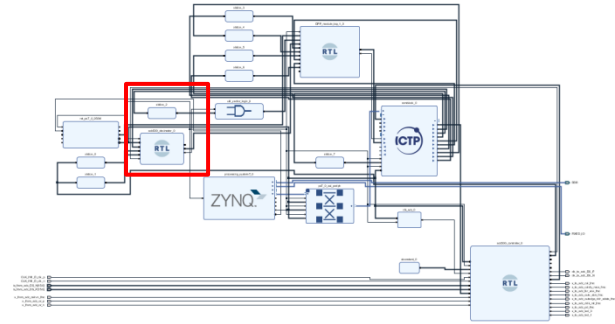
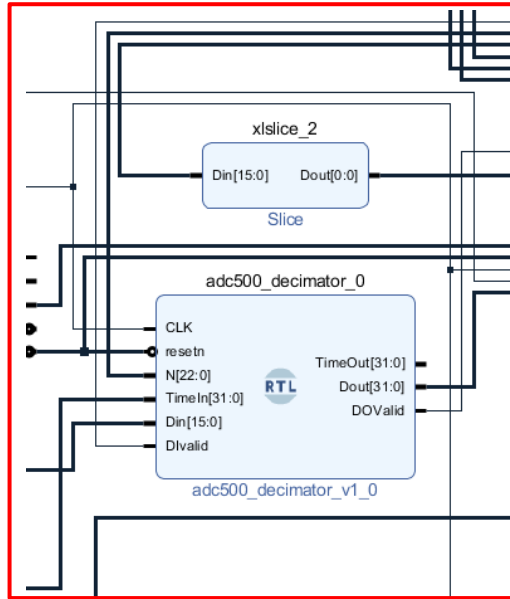
ICTP Project

Digital Pulse Processor based on SoC-FPGA for Particle Detectors



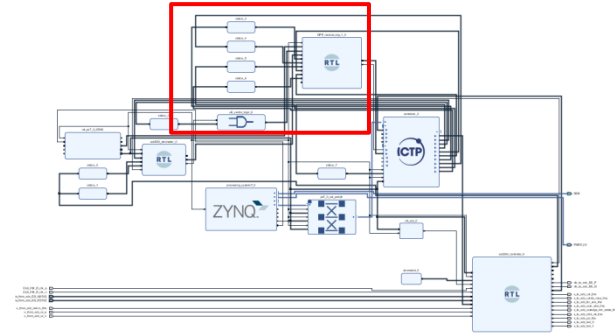
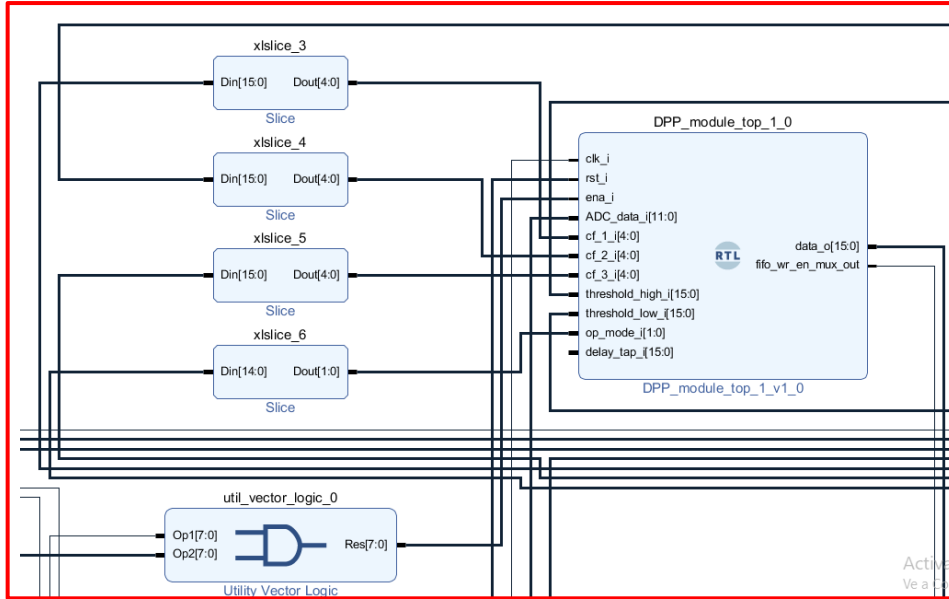
ICTP Project

Digital Pulse Processor based on SoC-FPGA for Particle Detectors



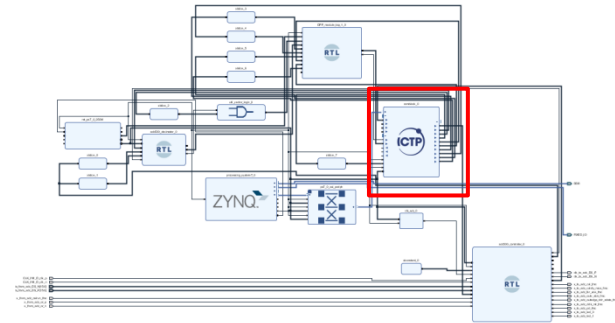
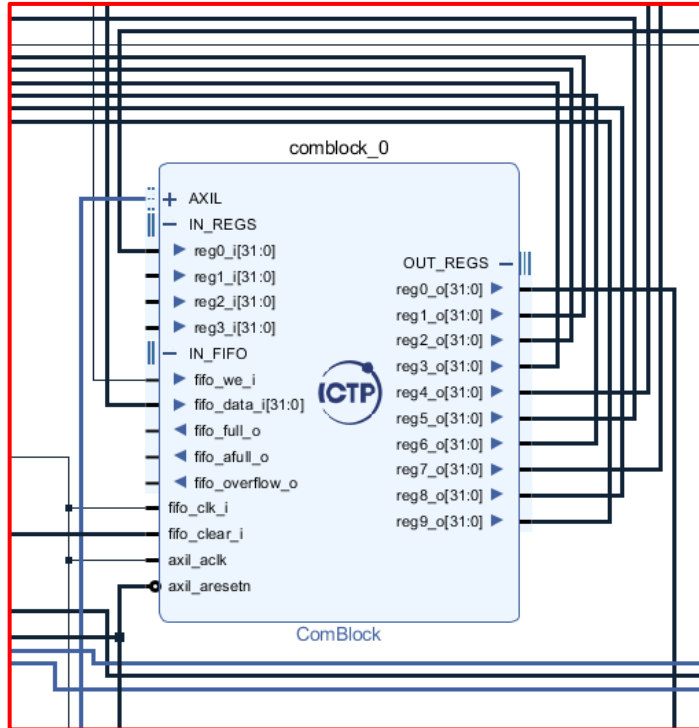
ICTP Project

Digital Pulse Processor based on SoC-FPGA for Particle Detectors

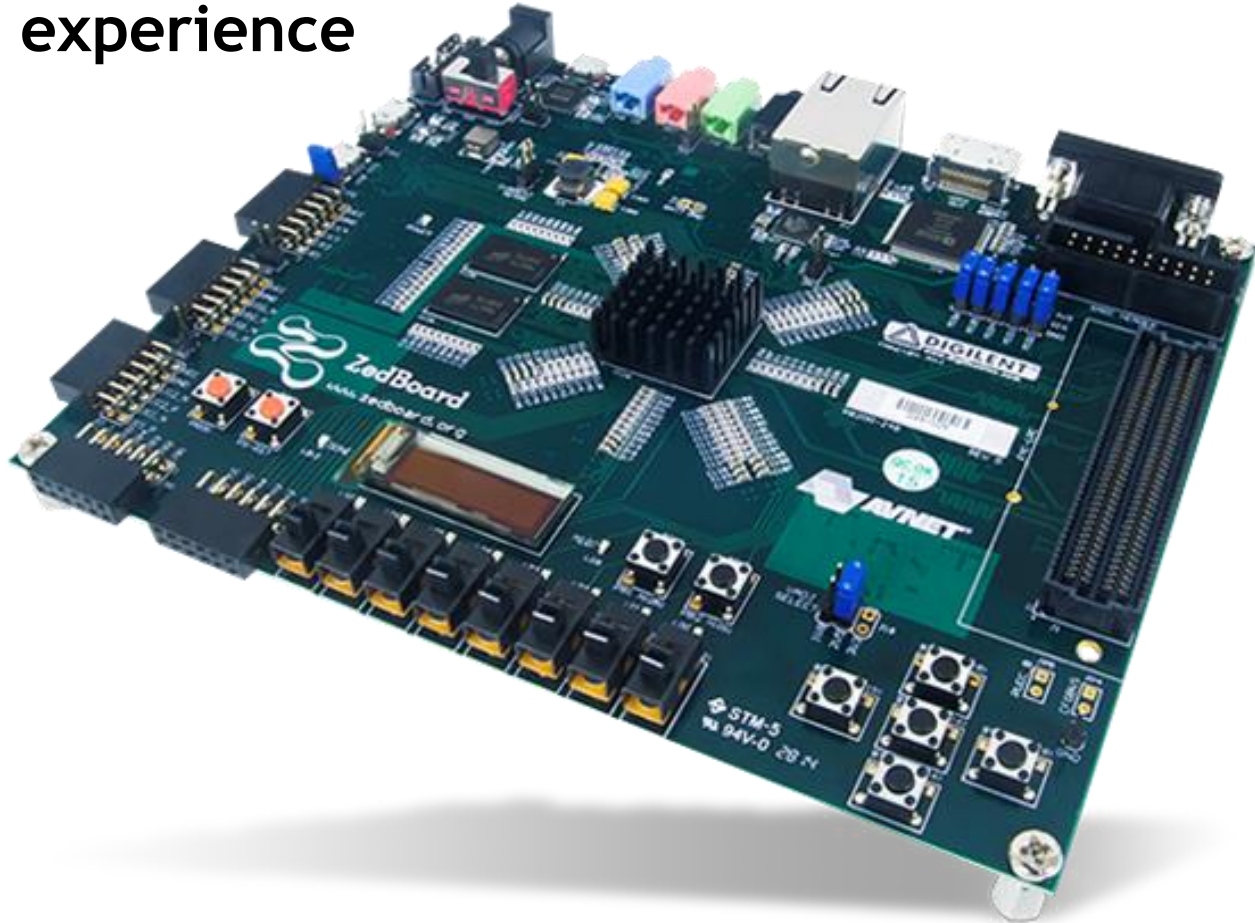


ICTP Project

Digital Pulse Processor based on SoC-FPGA for Particle Detectors



Personal experience



**THANK YOU FOR
THE OPORTUNITY**